

## DS-KH6320-WTE2 Indoor Station



### Key Feature

- Two-pin wire for power supply and network access
- UI V2.0: User friendly design
- 7-inch colorful touch screen with resolution 1024 × 600
- 2-ch transmission plan
- Stores messages and captured pictures in the TF card
- Remote unlocking via the client software or the mobile client
- Views live videos of door stations and linked cameras
- Supports wireless network

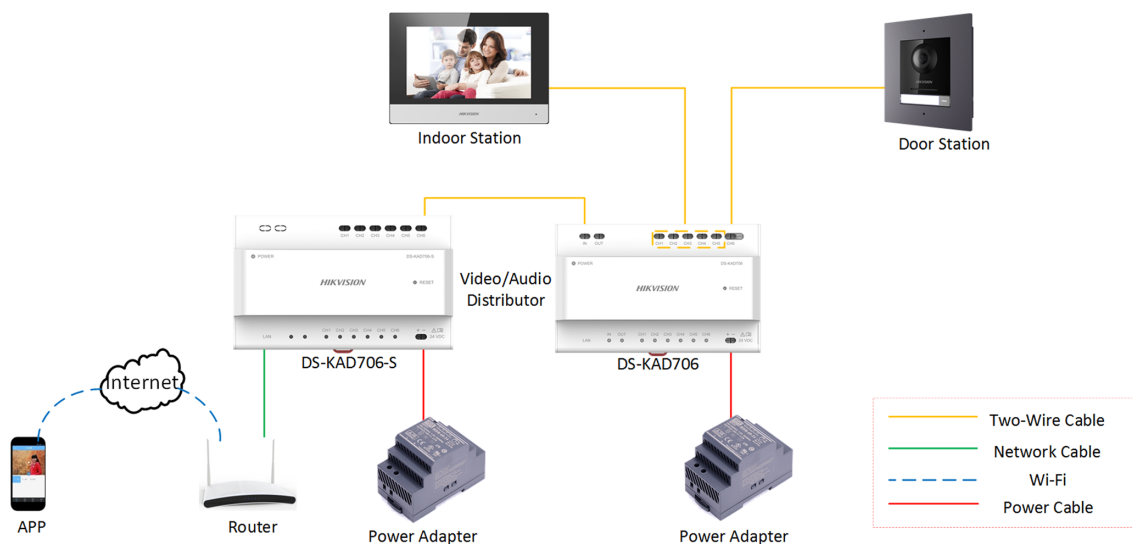
### Specification

| Model   | DS-KH6320-WTE2            |                                      |
|---------|---------------------------|--------------------------------------|
| System  | Processor basic frequency | 1 G                                  |
|         | Memory                    | 128 MB                               |
|         | Flash                     | 16 MB (32 MB hardware compatibility) |
|         | Operation system          | Embedded Linux operation system      |
| Display | Display screen            | 7-inch TFT LCD                       |
|         | Display resolution        | 1024 × 600                           |
|         | Operation method          | Capacitive touch                     |
| Audio   | Audio Input               | Build-in omnidirectional microphone  |
|         | Audio output              | Built-in loudspeaker                 |
|         | Volume                    | Local or software control            |



| Model                |                            | DS-KH6320-WTE2                                    |
|----------------------|----------------------------|---|
|                      | Audio compression standard | G.711 U   |
|                      | Audio compression rate     | 64 Kbps   |
|                      | Audio quality              | Noise suppression and echo cancellation           |
| Network              | Wired network              | BroadR-Reach                                      |
|                      | Wireless network           | Wi-Fi 802.11b/g/n                                 |
|                      | Protocol                   | TCP/IP, SIP, RTSP                                 |
| Interface            | Network interface          | Two-wire interface                                |
|                      | RS-485                     | 1   |
|                      | Alarm input                | 8 zones alarm input                               |
|                      | Relay output               | 2   |
|                      | TF card                    | Support, Max. 32 GB                               |
|                      | Power interface            | Two-wire interface                                |
| Extended Application | Mobile client              | Support   |
|                      | Indoor call elevator       | Support   |
|                      | IPC                        | Support   |
| General              | Power supply mode          | Two-wire  |
|                      | Power consumption          | ≤ 6 W   |
|                      | Working temperature        | -10 °C to 50 °C (-14 °F to 122 °F)                |
|                      | Working humidity           | 0% to 90%   |
|                      | Dimensions (W × H × D)     | 200 mm × 140 mm × 15.1 mm (7.87" × 5.51" × 0.59") |

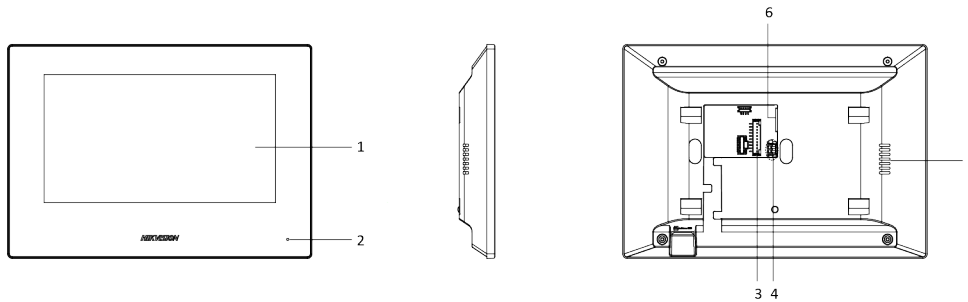
### Typical Application



## Available Model

DS-KH6320-WTE2

## Physical Interface



| No. | Description                        |
|-----|------------------------------------|
| 1   | Display Screen                     |
| 2   | Microphone                         |
| 3   | Alarm Terminal                     |
| 4   | Power Interface                    |
| 5   | Loudspeaker                        |
| 6   | Network Interface and Power Supply |

Distributed by



## HIKVISION®

### Headquarters

No.555 Qianmo Road, Binjiang District,  
Hangzhou 310051, China  
T +86-571-8807-5998  
overseasbusiness@hikvision.com

**Hikvision USA**  
T +1-909-895-0400  
sales.usa@hikvision.com

**Hikvision Australia**  
T +61-2-8599-4233  
salesau@hikvision.com

**Hikvision India**  
T +91-22-28469900  
sales@pramahikvision.com

**Hikvision Canada**  
T +1-866-200-6690  
sales.canada@hikvision.com

**Hikvision Thailand**  
T +662-275-9949  
sales.thailand@hikvision.com

**Hikvision Europe**  
T +31-23-5542770  
sales.eu@hikvision.com

**Hikvision Italy**  
T +39-0438-6902  
info.it@hikvision.com

**Hikvision Brazil**  
T +55 11 3318-0050  
Latam.support@hikvision.com

**Hikvision Turkey**  
T +90 (216)521 7070- 7074  
sales.tr@hikvision.com

**Hikvision Malaysia**  
T +601-7652-2413  
sales.my@hikvision.com

**Hikvision UK & Ireland**  
T +01628-902140  
sales.uk@hikvision.com

**Hikvision South Africa**  
Tel: +27 (10) 0351172  
sale.africa@hikvision.com

**Hikvision France**  
T +33(0)1-85-330-450  
info.fr@hikvision.com

**Hikvision Kazakhstan**  
T +7-727-9730667  
nikia.panfilov@hikvision.ru

**Hikvision Vietnam**  
T +84-974270888  
sales.vt@hikvision.com

**Hikvision UAE**  
T +971-4-4432090  
salesme@hikvision.com

**Hikvision Singapore**  
T +65-6684-4718  
sg@hikvision.com

**Hikvision Spain**  
T +34-91-737-16-55  
info.es@hikvision.com

**Hikvision Tashkent**  
T +99-87-1238-9438  
uzb@hikvision.ru

**Hikvision Hong Kong**  
T +852-2151-1761  
info.hk@hikvision.com

**Hikvision Russia**  
T +7-495-669-67-99  
saleru@hikvision.com

**Hikvision Korea**  
T +82-(0)31-731-8817  
sales.korea@hikvision.com

**Hikvision Poland**  
T +48-22-460-01-50  
info.pl@hikvision.com

**Hikvision Indonesia**  
T +62-21-2933759  
Sales.Indonesia@hikvision.com

**Hikvision Colombia**  
sales.colombia@hikvision.com